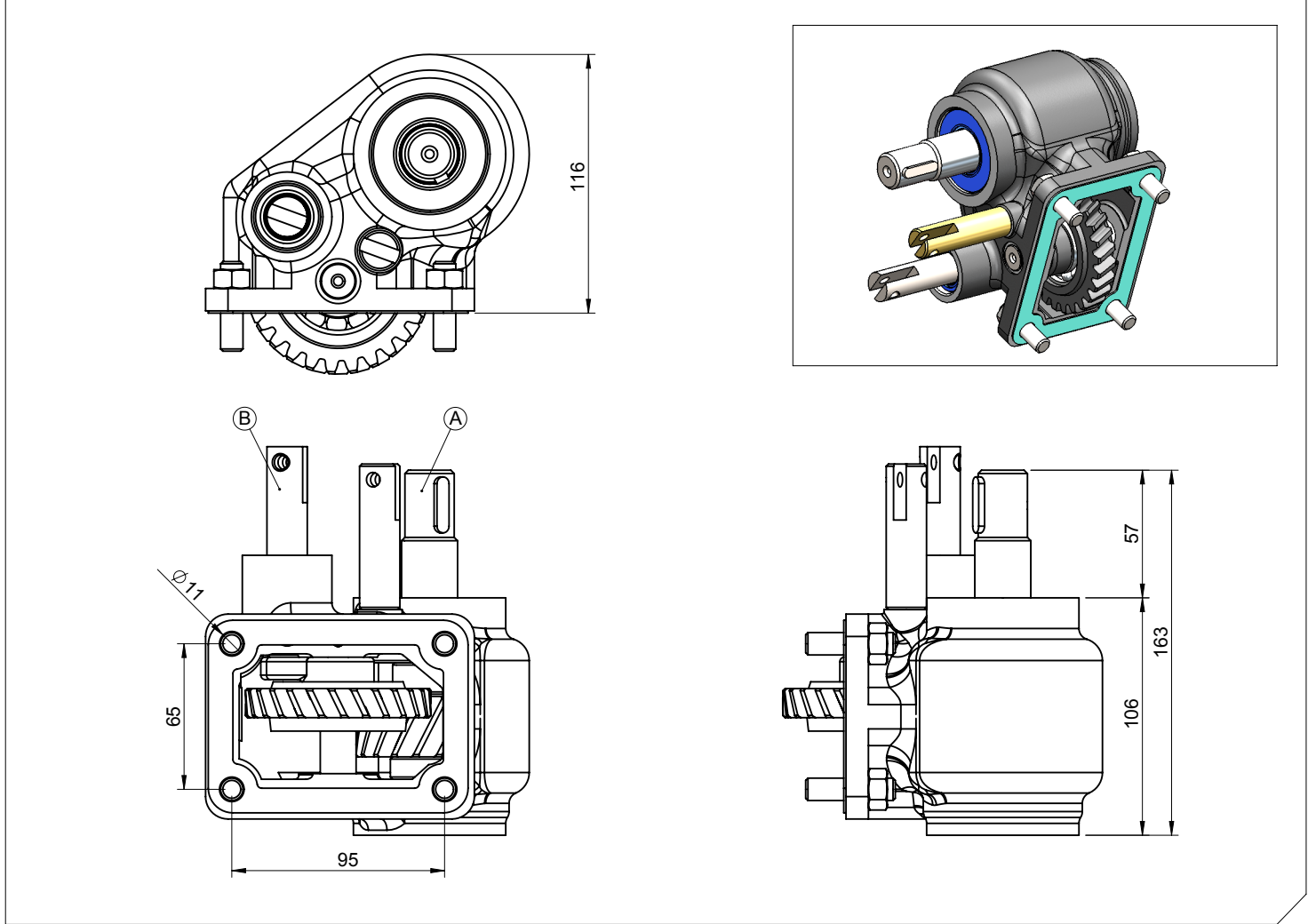


|                     |                             |
|---------------------|-----------------------------|
| <b>Vehicle Type</b> | NISSAN                      |
| <b>Gearbox Type</b> | SCGB-200-4VLX / 4V / DC 12J |

|                     |                         |
|---------------------|-------------------------|
| <b>Product Code</b> | <b>NSN.03.DC12J.AMP</b> |
|---------------------|-------------------------|



### Products Views



### Component Details

A :Drive flange  
B :Mechanic Control

### Technical Details

| Power | Maximum Torque |      | Input/Output | Mounting Side | Control Type             |
|-------|----------------|------|--------------|---------------|--------------------------|
|       | kW             | Nm   |              |               |                          |
| 20,1  | 252.5          | 25.7 | 1/1,37       | Left          | Mechanic                 |
|       |                |      |              | <b>Weight</b> | <b>Sense of Rotation</b> |
|       |                |      |              | 11 kg         | Opposite of Input        |